

Sink Angolare

Kitchen Sinks

Code: 3308 050



DETAILS

Edge/Installation Type Standard (8 mm Edge)

Finish Foster brushed

Material AISI 304 stainless steel

Texture Foster brushed

Base 90 cm

Dimensions 830x830 mm

Standard fittings Fixing hooks, gasket, drain, overflow and siphon, boxed packing

Mixer holes 1 standard hole

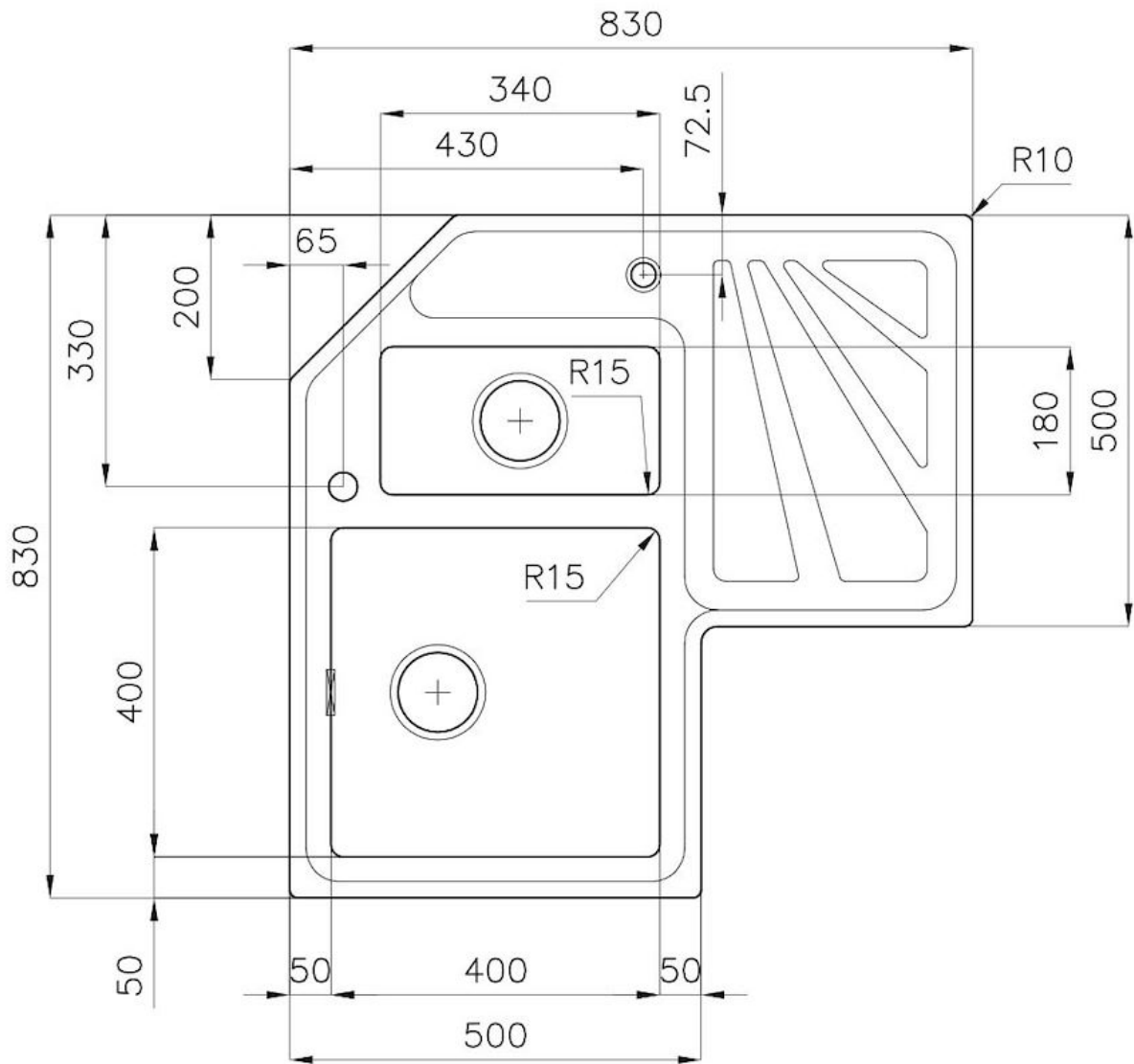
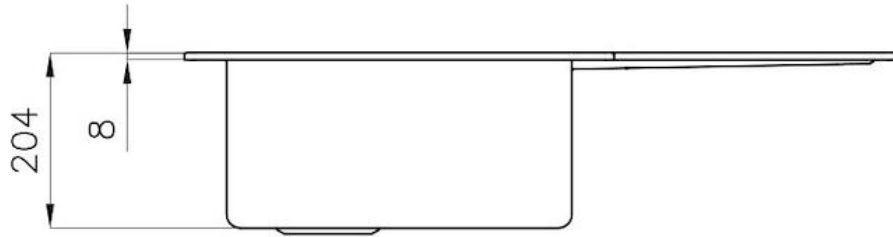
Built-in hole [View technical data sheet](#)

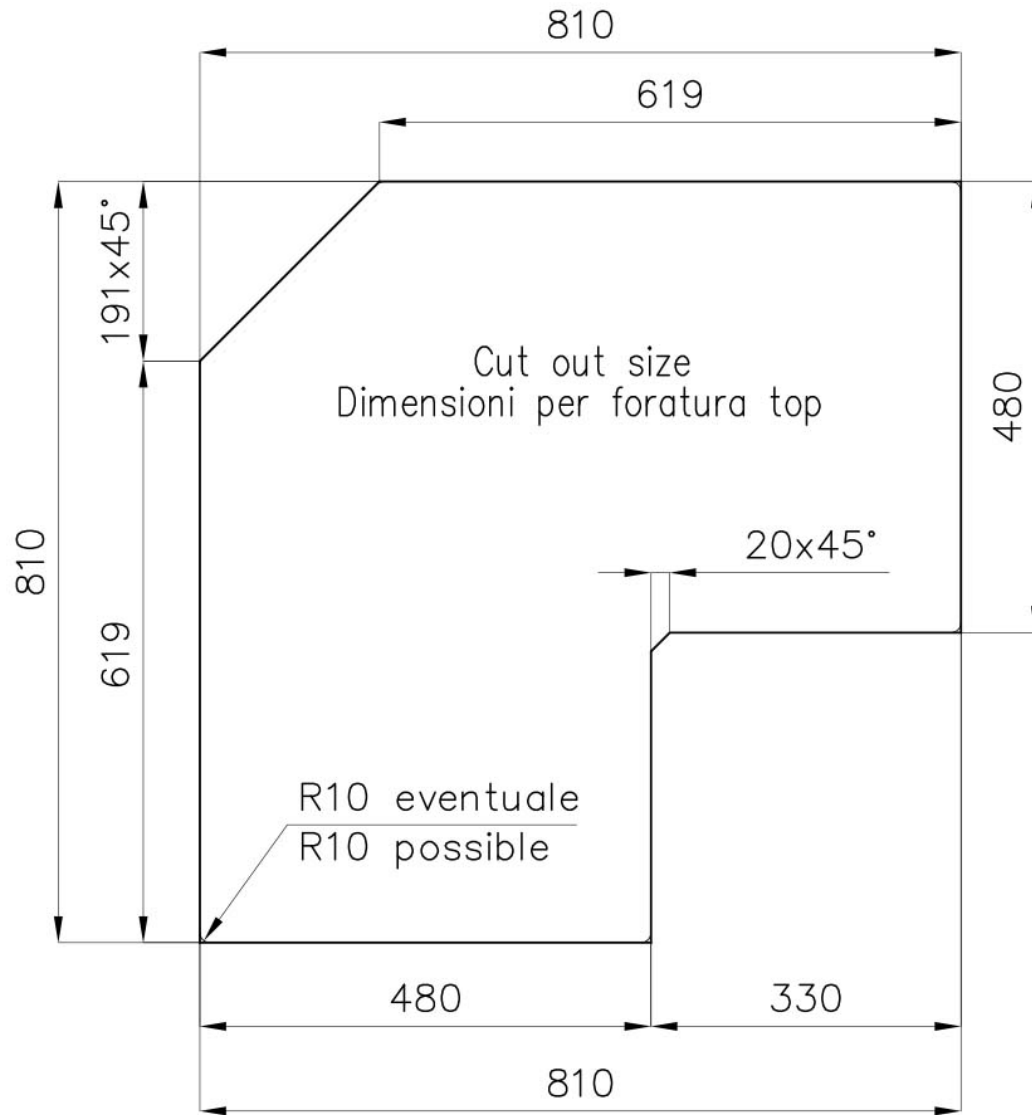
Drainer	Yes
Width	83 cm
Bowl dimension	400x400 + 180x340 mm
Number of bowls	2 bowls
Waste fitting	3.5 "+ 1.25" drain on drainer

FEATURES

2nd / 3rd hole available	The sink can be customized with the execution on request of additional holes, usable for double-hole mixers, for remote controlled drains or for the installation of soap dispensers. The positions are marked on the drawings with dotted line holes.
Basket 3,5" waste fitting	The drain is equipped with a large 3.5" drain, with the practical basket cap that prevents the discharge of solid parts.
Deep bowls	This bowls reach an important depth, over 20 cm, thanks to the advanced production technology, that can be offer great capiciency and practicity in all the washing operations.
Perimetral overflow	The overflow is always a security on the Foster sinks that prevents the overflow of water in case of oversights. The perimeter drain solution improves aesthetics thanks to its square and essential shape.

TECHNICAL DATA





OPTIONAL ACCESSORIES



HPDE Chopping board
8657 001



Stainless steel basket
8611 000



Stainless steel plate rack
8100 154



White bowl
8153 100



Cestello inox
8612 000



Glass chopping board
8631 300



Graters kit with ring-holder and food collection tray

8159 101

* only in combination with the accessory
8644 101

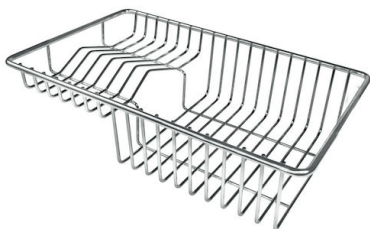


HPDE Twin chopping board
8644 101



Stainless steel perforated tray
8151 000

* only in combination with the accessory
8644 101



Stainless steel plate rack
8100 303

* only in combination with the accessory
8644 101



White basket
8612 100

RECOMMENDED PAIRINGS



Mixer Tap Camillo
8467 000

OPTIONAL AUTOMATIC WASTE FITTINGS



Automatic waste fitting
8407 100



Automatic waste fitting
8407 000



LIRA automatic waste fitting
8407 102



LIRA automatic waste fitting
8407 103